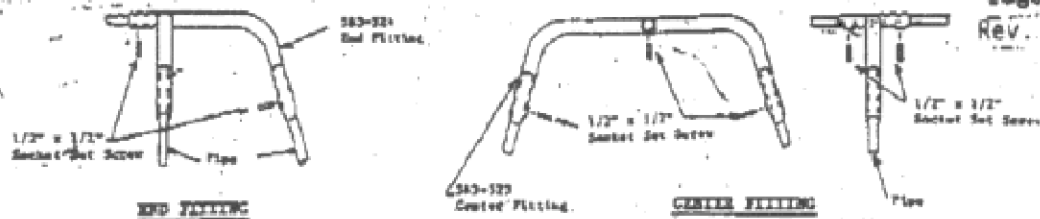


STEP #1: Assemble Swing Frame on side, on the ground. IF NOTE LATER ONE SECTION, ASSEMBLE section by section. Layout parts so that when frame is erected, Legs will be in approximately correct position.



Page 4 of 10
Rev. 1-7-97

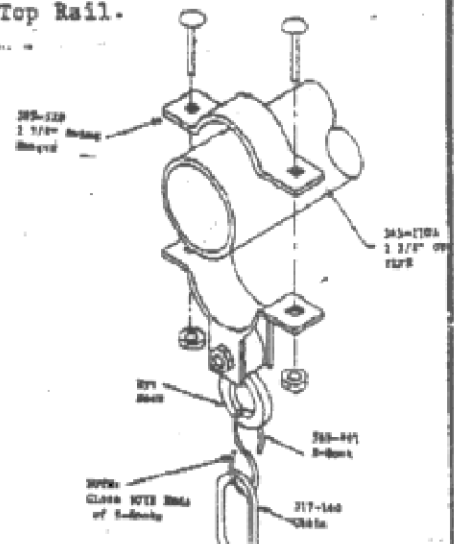
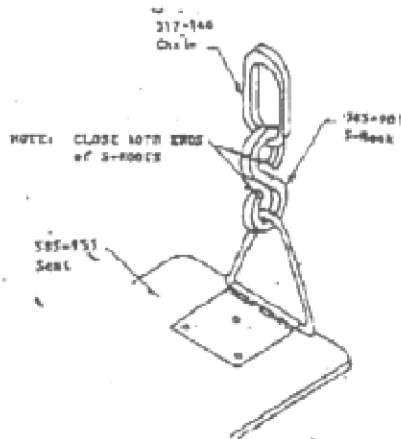
STEP #2: Footing holes may be marked out & dug from footing layout, however, it is generally easier to position Swing in proper location, mark holes, then move Swing to one side & dig holes.

STEP #3: Stand Swing upright onto Legs & brace in footing holes so that 36\" of pipe will be under intended level of resilient surfacing.

STEP #4: Assemble individual Swing Components. SEE FOLLOWING PAGES:

582-965	Full-Chain Attachment	2 3/8\" OD	Page #5
382-405	Hammock Swing Seat		Page #6
382-406	Vertical Swing Seat		Page #7
582-963	Adult Safety Seat Chair		Page #8
382-408	Heavy Duty Wheelchair Swing Platform		Page #9 & 10

STEP #5: Using S-Hooks attach Seats to Chain & Chain to Swing Hanger Eye Hook. Close the S-Hooks to within .034\" (1/32\"), using S-Hook Pliers or pounding with a Hammer. Attach Swing Hanger Assembly to Top Rail.



STEP #6: Assemble top portion of Swing Hangers on Top Rail following spacing on PAGE #1. SEE STEP #5.

STEP #7: Attach Assembled Seats to Swing Hangers by reattaching the Bearing Hooks to the Swing Hangers. SEE STEP #5.

STEP #8: Plumb & level entire unit. Tighten all nuts & bolts until Lock Washers are flat. Use short length of pipe on end of Socket Key to add leverage when tightening Socket Set Screws. Pour Concrete. Wait 48 hours before removing braces, applying resilient surfacing & using equipment.

STEP #9: Attach Warning Label and Manufacturer's Identification Label to a clean surface. The Labels should be attached in a location where they are clearly visible and legible and away from normal hand and foot placement areas. The labels must be replaced if they become illegible, destroyed or removed. Contact Sportsplay replacement Labels.