

# 381-404 HEAVY DUTY WHEELCHAIR SWING w/ Frame (Perm)

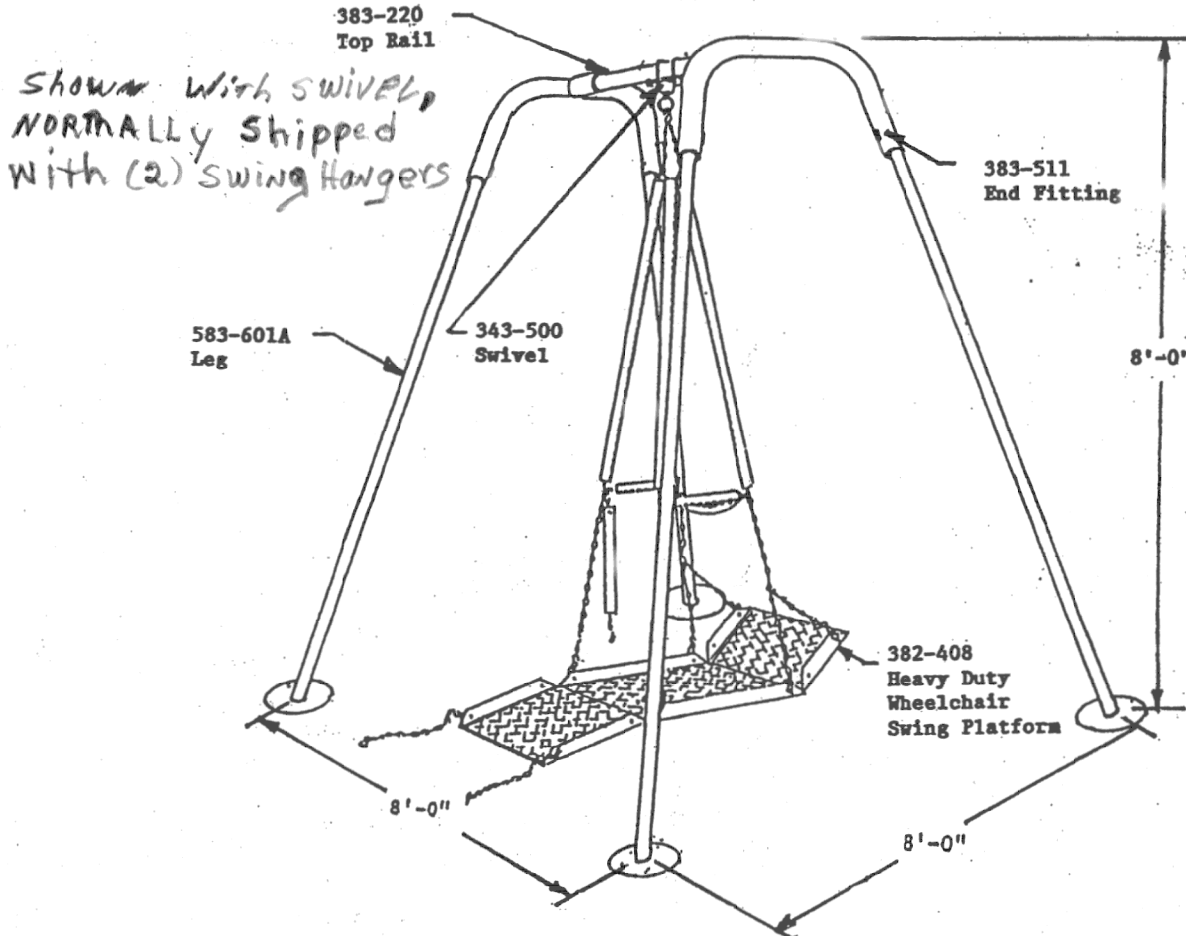
Page 1 of 5  
Rev 4/2000

## \* IMPORTANT \*

PLEASE RETAIN THIS INSTRUCTION SHEET IN YOUR FILES. IT CONTAINS IMPORTANT REPLACEMENT PARTS INFORMATION. ALL EQUIPMENT SHOULD BE INSTALLED IN ACCORDANCE WITH THESE INSTRUCTIONS.

IT IS IMPORTANT TO USE AND MAINTAIN ALL PUBLIC PLAYGROUND EQUIPMENT PROPERLY. PLAYGROUND EQUIPMENT WHICH IS IMPROPERLY MAINTAINED CAN CAUSE SERIOUS INJURY. PERIODICAL INSPECTIONS, MAINTENANCE, REPAIR AND/OR REPLACEMENT OF DAMAGED PARTS IS NECESSARY FOR SAFE OPERATION OF EQUIPMENT AND SAFETY OF USERS. RESILIENT SURFACING SHOULD BE USED UNDER ALL PLAYGROUND EQUIPMENT. APPROPRIATE PUBLICATIONS, AVAILABLE AT NO CHARGE, FROM THE CONSUMER PRODUCT SAFETY COMMISSION, INCLUDE "A HANDBOOK FOR PUBLIC PLAYGROUND SAFETY."

YOU CAN RECEIVE YOUR FREE COPY BY CALLING TOLL FREE 1-800-638-2772.



### PACKING LIST

1 CTN - 1- HARDWARE BAG  
 1- 383-414 HEAVY DUTY MAIN  
 PLATFORM/CHAIN ASSEMBLY  
 1 CTN - 1- 383-415 HEAVY DUTY BACK  
 PLATFORM/CHAIN ASSEMBLY  
 1- 383-416 HEAVY DUTY FRONT  
 PLATFORM/CHAIN ASSEMBLY  
 2 WF -- 1 383-511 END FITTING  
 1 PIPE -- 1 383-220 TOP RIAL  
 4 PIPE -- 1 583-601A LEG

### HARDWARE BAG

1 - 343-500 SWIVEL COMPLETE ASSEMBLY  
 6 - 196-802 1/2" X 1/2" SOCKET SET SCREW  
 1- 416-400 1/2" SOCKET KEY  
 1- 805-532 WARNING LABEL  
 1- 805-534 SPORTSPLAY LABEL  
 1- MAINTENANCE CHECKLIST

2 CTN 2 WF 5 PIPE 9 TOTAL PCS WT 232# CLASS 70