

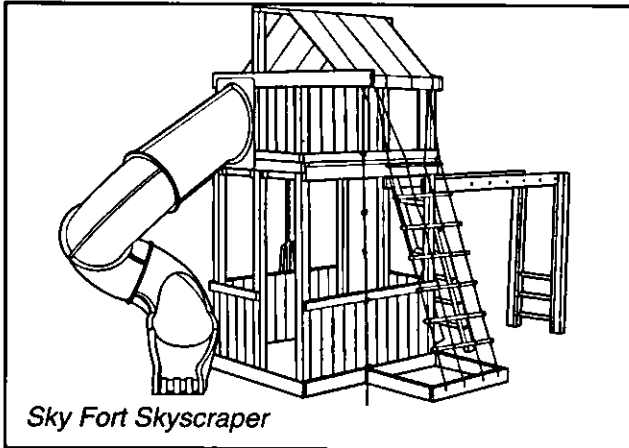
Turbo Tube Slide

DO - IT - YOURSELF

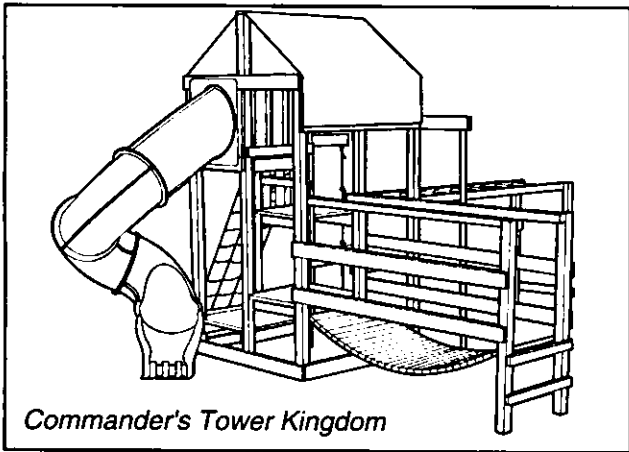
NE 4405



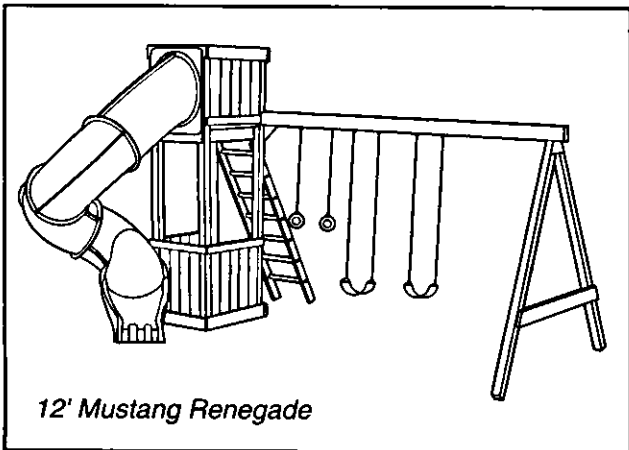
Seal of Approval



Sky Fort Skyscraper



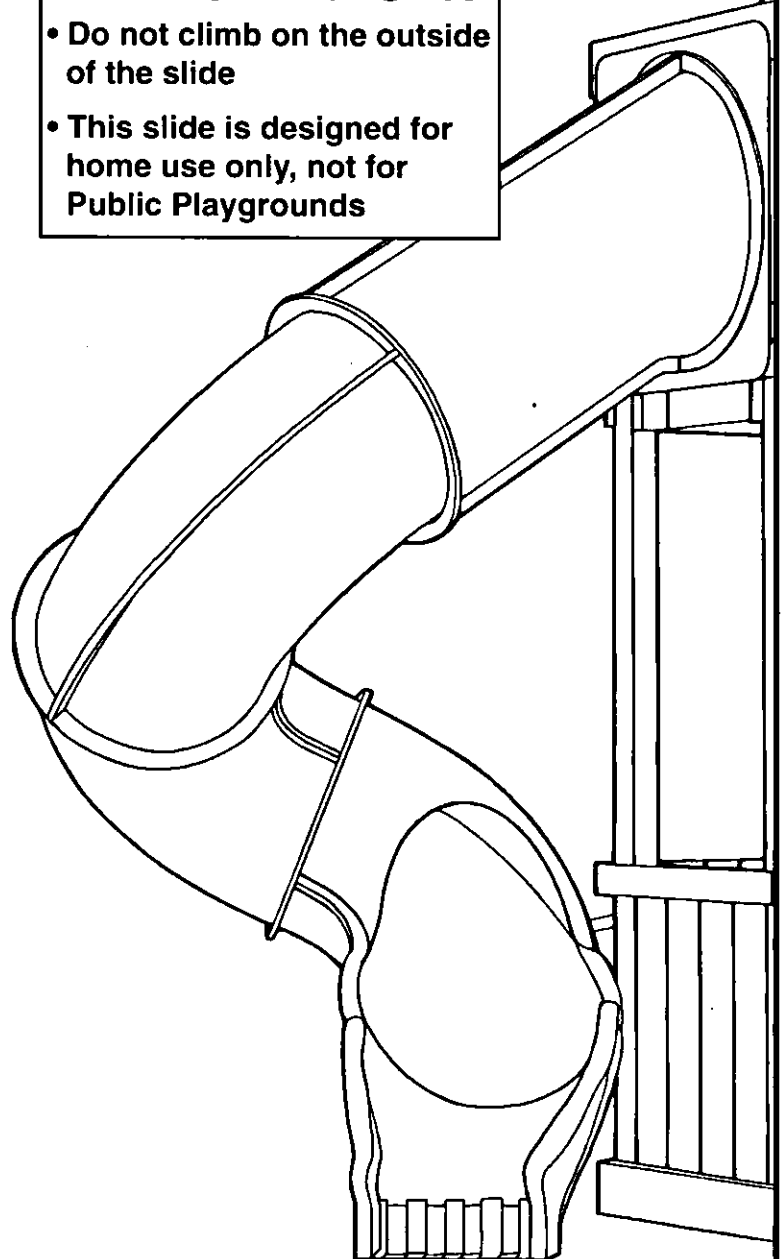
Commander's Tower Kingdom



12' Mustang Renegade

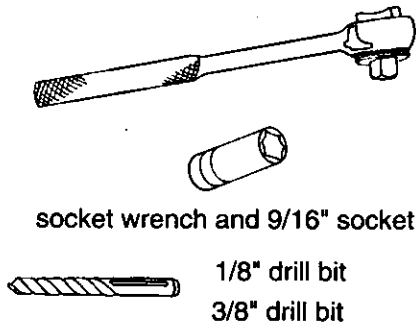
CAUTION

- Do not climb on the outside of the slide
- This slide is designed for home use only, not for Public Playgrounds



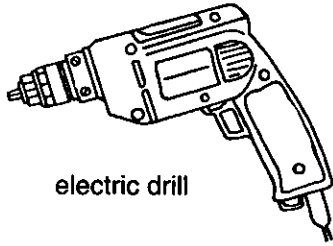
Swing-N-Slide™

Tools Required



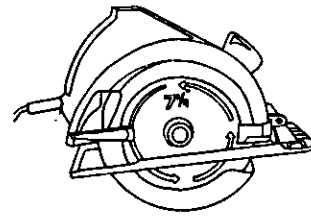
socket wrench and 9/16" socket

1/8" drill bit
3/8" drill bit



electric drill

circular saw

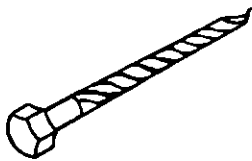


tape measure

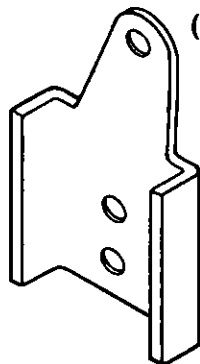


hammer

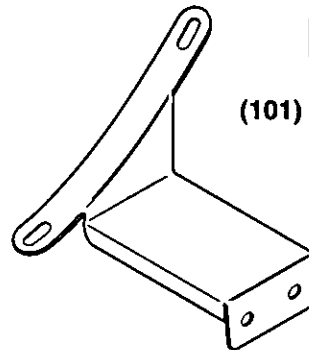
Kit Includes



(12) 5/16" x 1-1/2" lag bolts
(4) 5/16" x 2-1/2" lag bolts



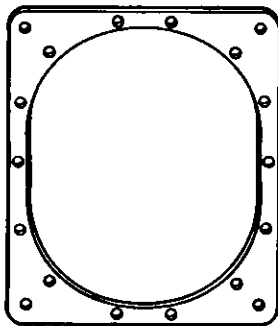
(1) support bracket



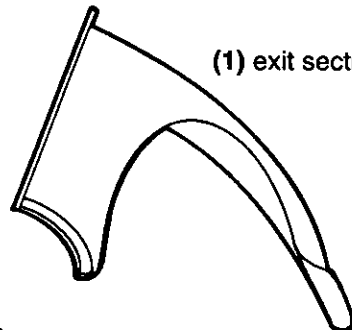
(101) 5/16" loc nuts



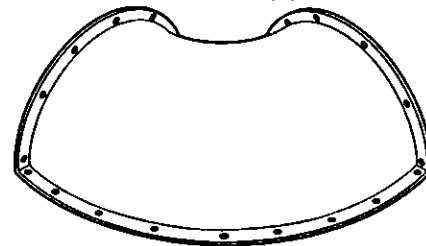
(214) 5/16" washers



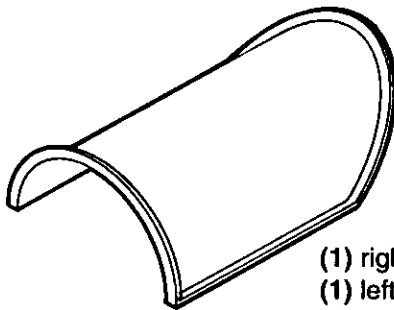
(1) mounting plate



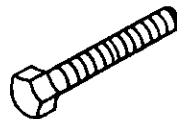
(1) exit section



(2) Top 90° sections
(3) Bottom 90° sections

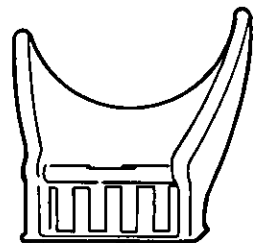


(1) right entrance section
(1) left entrance section



(95) 5/16" x 3/4" hex head bolts
(4) 5/16" x 1" hex head bolts
(2) 5/16" x 2-1/2" hex head bolts

(1) run-off section



Lumber Required - Cut Lumber First!

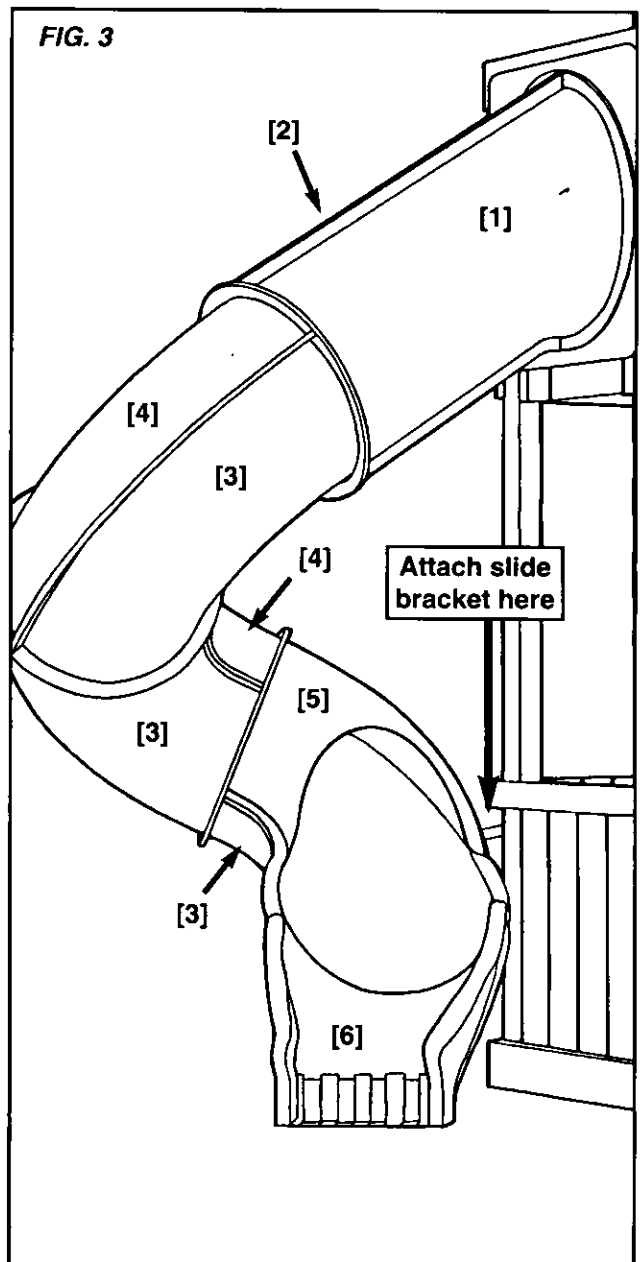
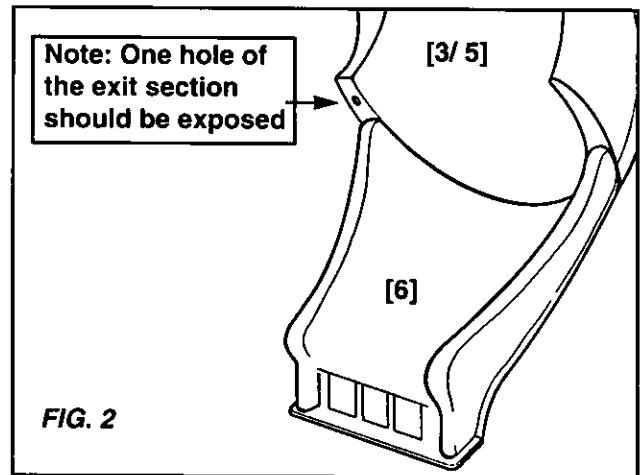
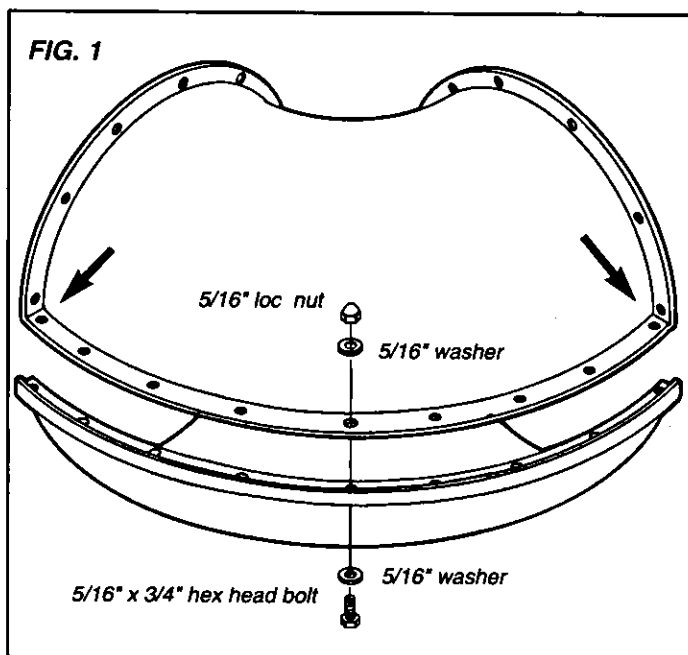
| | | | | | |
|-----|-----|-----|--------|--------|----|
| 20" | 20" | 20" | 9-1/4" | 9-1/4" | 7" |
|-----|-----|-----|--------|--------|----|

| Qty. | Description |
|-------|----------------------|
| One | 2" x 4" x 8' |
| 1 lb. | 10D galvanized nails |

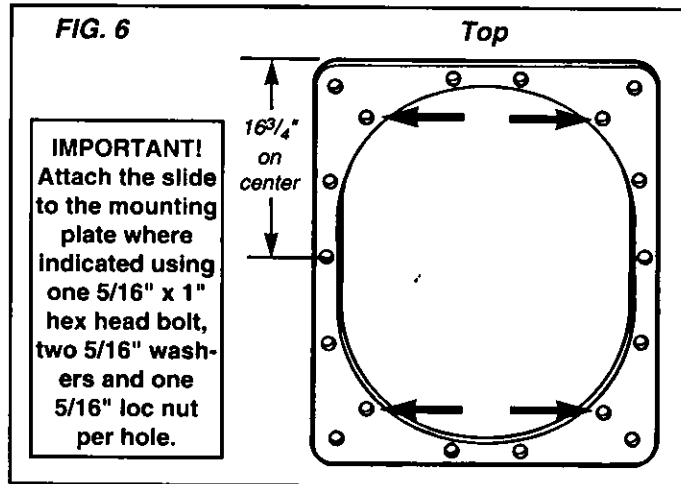
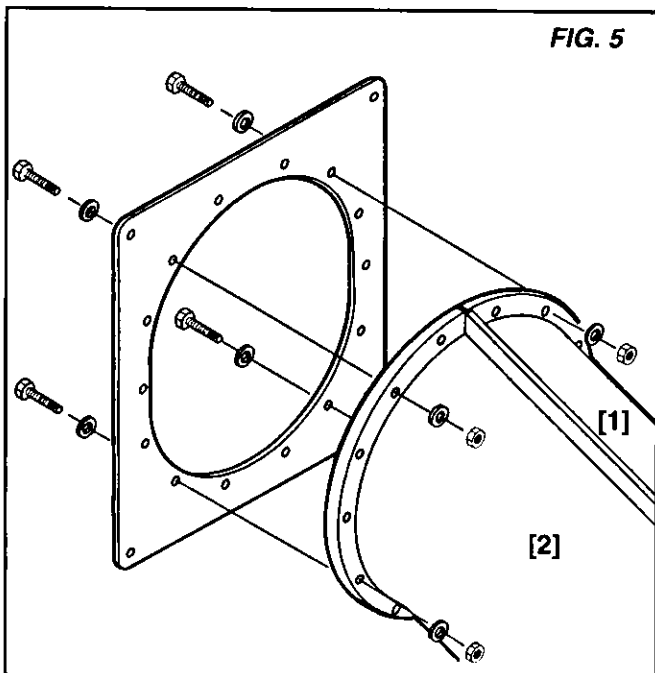
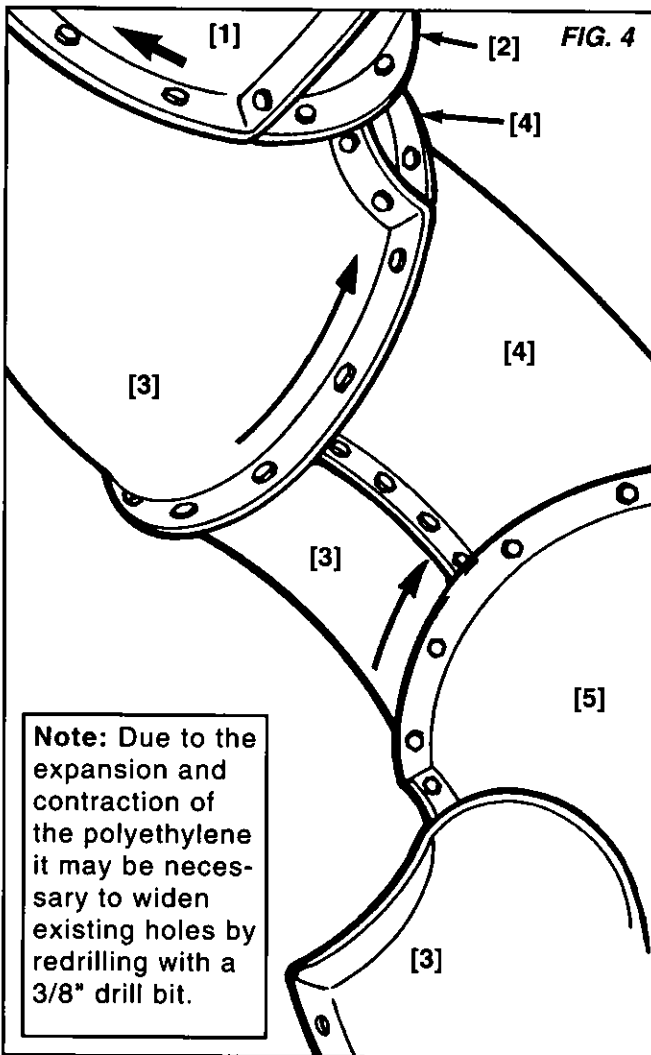
Assembly Instructions

NOTES: 1) At least two individuals are needed to assemble the Turbo Tube Slide. 2) To aid in aligning holes when assembling sections, insert a screwdriver through adjacent holes to maintain hole alignment.

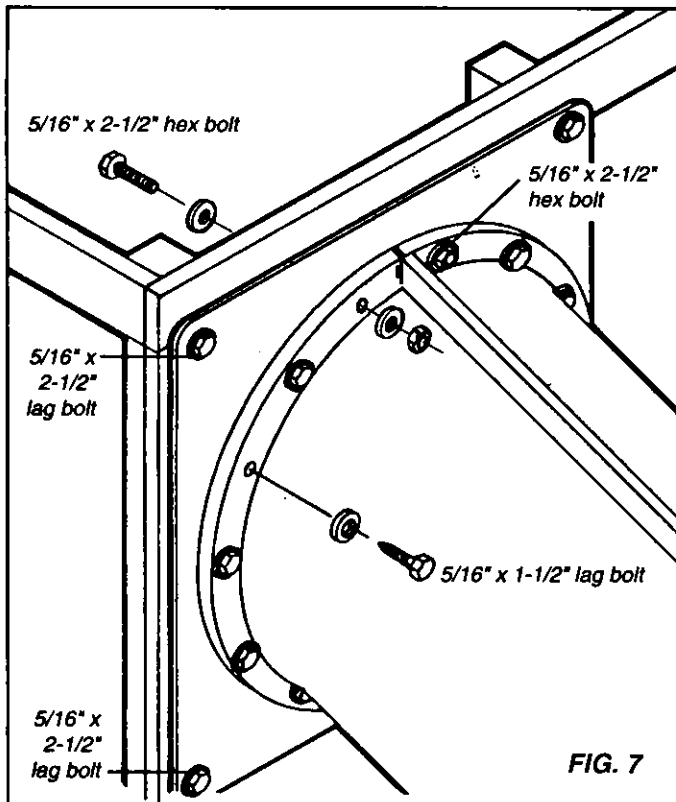
1. Assemble entrance section using pieces [1] & [2], two 90° sections using pieces [3] & [4], and the exit section using pieces [3] & [5]. Attach using one 5/16" x 3/4" hex head bolt, two 5/16" washers, and one 5/16" loc nut at each hole junction (Fig. 1). Assemble each section separately. **NOTE:** Fasten each loc nut finger tight until the entire slide is assembled.
2. Attach the exit section [3/ 5] to the slide run-off [6], as indicated in Fig. 2, using one 5/16" x 3/4" hex head bolt, two 5/16" washers, and one 5/16" loc nut at each hole junction. **NOTE:** The last hole of the exit section should be exposed.
3. Position a 90° section [3/ 4] to the exit/run-off sections [3, 5 & 6] rotating the 90° section two holes from the previous seam (Fig. 4). Secure using one 5/16" x 3/4" hex head bolt, two 5/16" washers and one 5/16" loc nut at each hole junction.
4. Add remaining sections to assembly rotating each section two holes from the previous seam (Figs. 3 & 4).



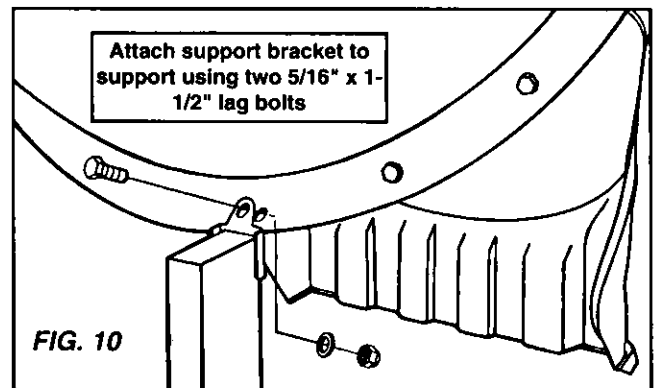
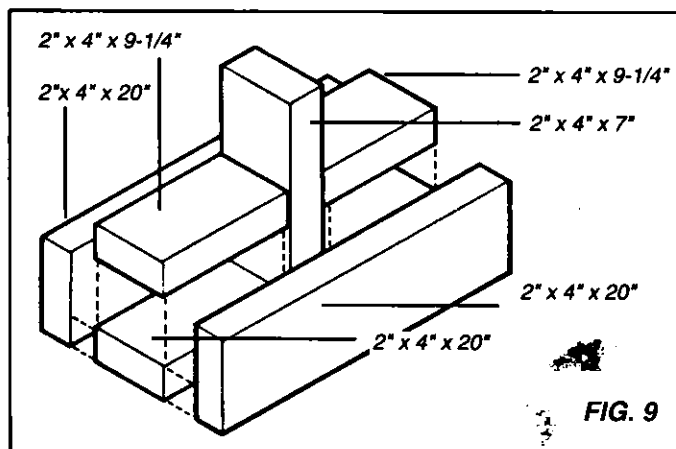
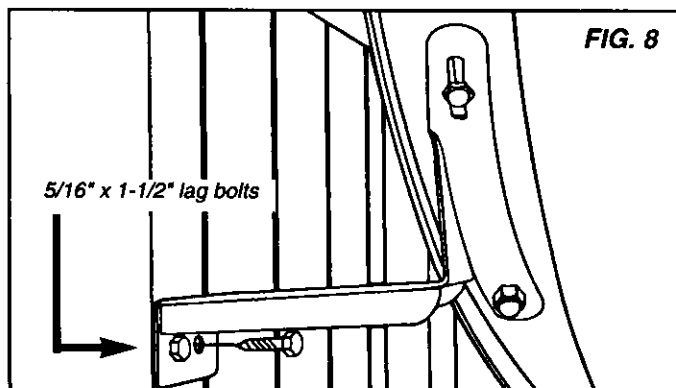
Assembly Instructions



5. Attach the mounting plate to the slide assembly using four 5/16" x 1" hex head bolts, eight 5/16" washers and four 5/16" loc nuts (Figs. 5 & 6). **NOTE:** There is a top and bottom to the mounting plate (Fig. 6).
6. With the assistance of at least two others, position the Turbo Tube Slide to the appropriate opening of the activity center. **NOTE:** All remaining mounting plate holes should cover the wood of the frame opening. Reposition slide if necessary (Fig. 7).
7. Mark the hole locations and drill 1/8" pilot holes 1" deep. Attach slide to the unit using four 5/16" x 2-1/2" lag bolts and washers in each corner and eight 5/16" x 1-1/2" lag bolts and washers in the remaining holes as indicated in Fig. 7. **NOTE:** Lag bolts are not used on the two top holes of the entrance section. **Do not hammer lag bolts.**
8. Mark the position of the remaining two holes and drill a 3/8" hole through the top support. Secure slide using one 5/16" x 2-1/2" hex head bolt, two 5/16" washers and one 5/16" loc nut at each hole. **NOTE:** The heads of the bolts should be on the inside of the slide (see Fig. 7).
9. Dig a hole 3" deep beneath the slide run-off area.



NOTE: Remove any exposed bolt threads with a hack saw and file smooth



Assembly Instructions

10. Position the slide bracket to the slide and activity center (see Figs. 3 & 8 for location). Loosen the appropriate bolts and attach bracket to the slide as indicated in Fig. 8. Retighten the nuts and bolts.
11. Move the slide towards the activity center until the bracket makes contact with the unit. Mark the hole location and drill a 1/8" pilot hole 1" deep. Attach bracket to the unit using two 5/16" x 1-1/2" lag bolts (see Fig. 8).
12. Build the slide support using three 2" x 4" x 20", two 2" x 4" x 9-1/4" and one 2" x 4" x 7" boards as indicated in Fig. 9. Use 10D galvanized nails to join boards together.
13. Attach the support bracket to the slide support built in step 12 using two 5/16" x 1-1/2" lag bolts (Fig. 10).
14. Place the support beneath the slide and determine its final position. **Note:** Slide support should fit tightly beneath the slide to assure proper support. Loosen corresponding nut and bolt and attach the support to the slide (see Fig. 10). Re-tighten the nut and bolt.
15. Level grade around the base of the slide.