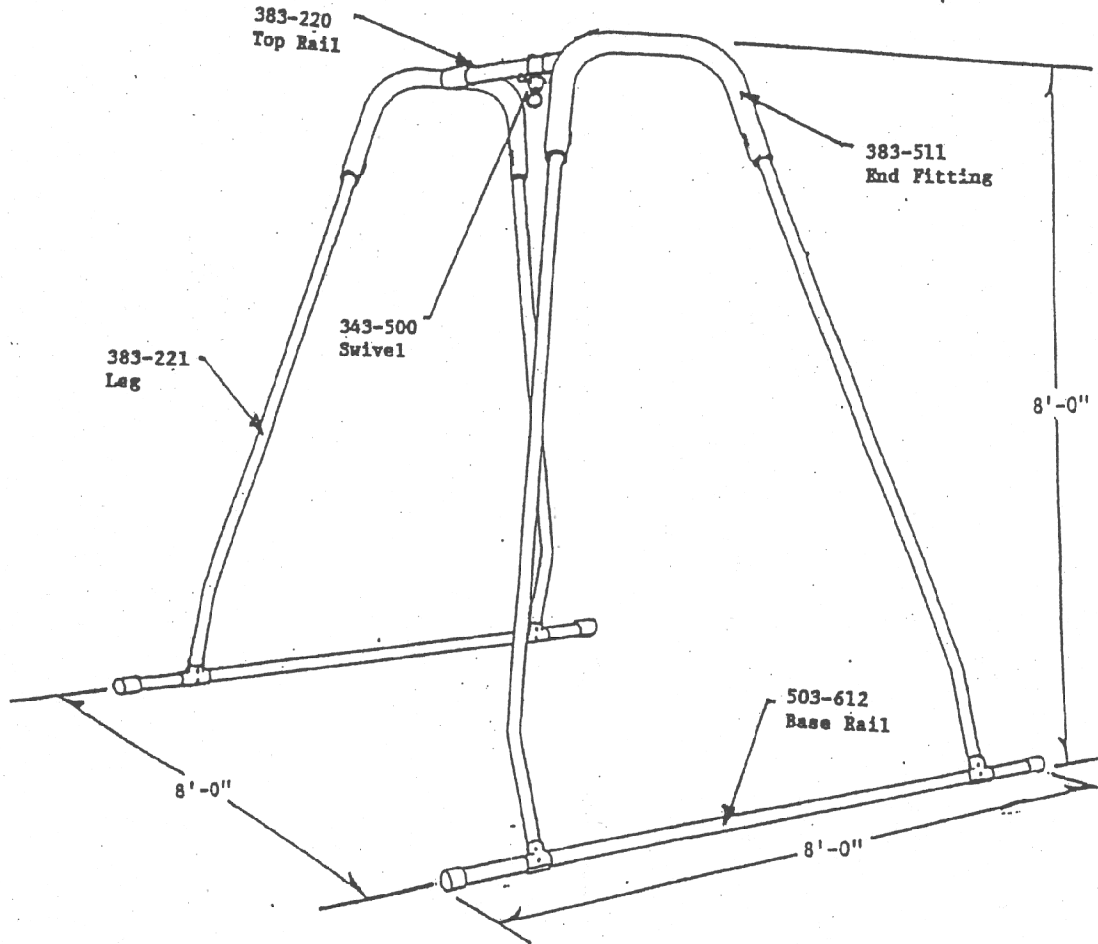


**\* IMPORTANT \***

PLEASE RETAIN THIS INSTRUCTION SHEET IN YOUR FILES. IT CONTAINS IMPORTANT REPLACEMENT PARTS INFORMATION. ALL EQUIPMENT SHOULD BE INSTALLED IN ACCORDANCE WITH THESE INSTRUCTIONS.

IT IS IMPORTANT TO USE AND MAINTAIN ALL PUBLIC PLAYGROUND EQUIPMENT PROPERLY. PLAYGROUND EQUIPMENT WHICH IS IMPROPERLY MAINTAINED CAN CAUSE SERIOUS INJURY. PERIODICAL INSPECTIONS, MAINTENANCE, REPAIR AND/OR REPLACEMENT OF DAMAGED PARTS IS NECESSARY FOR SAFE OPERATION OF EQUIPMENT AND SAFETY OF USERS. RESILIENT SURFACING SHOULD BE USED UNDER ALL PLAYGROUND EQUIPMENT. APPROPRIATE PUBLICATIONS, AVAILABLE AT NO CHARGE, FROM THE CONSUMER PRODUCT SAFETY COMMISSION, INCLUDE "A HANDBOOK FOR PUBLIC PLAYGROUND SAFETY."

YOU CAN RECEIVE YOUR FREE COPY BY CALLING TOLL FREE 1-800-638-2772.



**PACKING LIST**

- 1 CTN - 1 HARDWARE BAG
- 2 WF - 1 383-511 END FITTING
- 1 PIPE - 1 383-220 TOP RAIL
- 4 PIPE - 1 383-221 LEG
- 2 PIPE - 1 503-612 BASE RAIL

1 CTN 2 WF 7 PIPE = 10 TOTAL PCS  
WT 155# CLASS 70

*Specify swing hangers  
or SWIVEL*

**HARDWARE BAG**

- 4 PR - 425-517 1 7/8" T-CLAMP
- 4 - 535-960 GREEN CAP
- 4 - 535-961 RED CAP
- 1 - 343-500 SWIVEL, COMPLETE
- 4 - 116-540 5/16" X 2" BUTTON HEAD BOLT
- 6 - 196-802 1/2" X 1/2" SOCKET SET SCREW
- 4 - 326-501 5/16" LOCK WASHER
- 4 - 216-512 5/16" BUTTON HEAD NUT
- 2 - 416-350 3/16" SOCKET KEY
- 1 - 416-400 1/2" SOCKET KEY
- 1 - 805-532 WARNING LABEL